



SCANDINAVIAN SEAT SUSPENSION SYSTEMS

www.seatsuspension.systems

PRODUCT CATALOGUE 2025



Heavy duty, offshore

Edition 1



SCANDINAVIAN SEAT SUSPENSION SYSTEMS

www.seatsuspension.systems

Beware of Rough Waters!

A good seat suspension is a solution to the classical problems, and suffering, from dangerous wave slamming to the boat's hull.

It's an insurance!:

- Protects the whole body – mainly back and neck
- Makes you drive safer – relaxed and focused
- Reduces boating fatigue – stay fresh longer
- Increases the overall comfort and joy onboard – which is the main Reason for boating..

It's also an investment – increasing the market value and attraction of the boat.

Quality seat suspensions in planing boats up to app. 30ft is a no-brainer.

They SHOULD be a standard feature!

Ask any spinal doctor, physiotherapist, chiropractor, or marine safety engineer...

Technical - General:

4S' products are seriously engineered tools – not bouncing toys.

- **Swivel:** 360° in 8 lock positions
- **Slide:** fore/aft: 120mm / 5"
- **Swiftly adjustable pre-load:** 60-130kg / 125-285lb
- Various deck mount sizes/shapes available.
- Handles (Swivel/Slide): Reach 250mm / 10" from center-line
- Handles can be positioned on either side of the unit, decided at installation.

Only premium, marine-grade materials:

- Stainless steel 316/316L
- Aluminium 5052H32 + 6061T6, 6-8mm / 1/4-1/3" thickness
- Bronze c63000
- PolyOxyMethylene.

Models; use the 2 letters of the –series, and add:

- W** = Swivel and Slide included
- S** = Slide included (slightly lower than the xx**W** model)
- F** = Fixed (slightly lower than the xx**S** model)

All models meet ABYC H-31 highest requirements, type AO:

Any boat

Any position

Any speed



Boating Safety... Built In

RIB-series

RIBMM, and RIB06



RIBMM Special features:

- Quick height adjustment of 45mm / 2", by turning handwheel
- Weight adjustment on damper, with C-spanner – attached to deck plate
- Storage box 20L / 0,7cbft
- Box' footprint: 340x240mm / 13,5x9,5"

RIB06 Special features:

- Height adjustment of 50mm / 2"
- Weight adjustment on damper, with C-spanner – attached to deck plate
- Storage box 15L / 0,5cbft
- Box' footprint: 340x240mm / 13,5x9,5"



RIB-series

RIB05, and RIB04



RIB05 Special features:

- Quick weight adjustment, by turning handwheel
- Storage box 15L / 0,5cbft
- Box' footprint: 340x240mm / 13,5x9,5"

RIB04 Special features:

- Quick weight adjustment, by turning handwheel
- Storage box 25L / 0,9cbft
- Box' footprint: 340x240mm / 13,5x9,5"



RIB-series

RIB03, and RIB Accessories



RIB03 Special features:

- Height adjustment of 40mm / 1,75"
- Weight adjustment on damper, with C-spanner – attached to deck plate
- Small footprint: 292x226mm / 11,5x9"



RIB-series Accessories:

- Extended backrest with side-supports
- Grabrail
- Seatbelt
- Double deck-plate – for quick removal of units / change of seating layout

HI-series

530-570mm / 21-23"



Special features:

- Height adjustment 40mm / 1,75"
- Weight adjustment on damper, with C-spanner
– attached to deck plate
- Also Slide-only-, and Fixed models possible
- RB-, and BR- deck plates possible

BJ-series

495-535mm / 19,5-21,5"



Special features:

- Height adjustment 40mm / 1,75"
- Weight adjustment on damper, with C-spanner
– attached to deck plate
- Also Slide-only-, and Fixed models possible
- RB-, and BR- deck plates possible

NoKa-series

445-485mm / 17,5-19,5"



Special features:

- Height adjustment 40mm / 1,75"
- Weight adjustment on damper, with C-spanner
– attached to deck plate
- Also Slide-only-, and Fixed models possible
- RB-, and BR- deck plates possible

PP-series

390-430mm / 15-17"



Special features:

- Height adjustment 40mm / 1,75"
- Weight adjustment on damper, with C-spanner
– attached to deck plate
- Also Slide-only-, and Fixed models possible
- RB-, and BR- deck plates possible

CC-series

340-380mm / 14-16"



Special features:

- Height adjustment 40mm / 1,75"
- Weight adjustment on damper, with C-spanner – attached to deck plate
- Also Slide-only-, and Fixed models possible
- RB-, SR-, and BR- deck plates possible

RR-series

300-345mm / 12-14"



Special features:

- Height adjustment 45mm / 2"
- Weight adjustment on damper, with C-spanner
– attached to deck plate
- Also Slide-only-, and Fixed models possible
- RB-, SR-, and BR- deck plates possible

HR-series

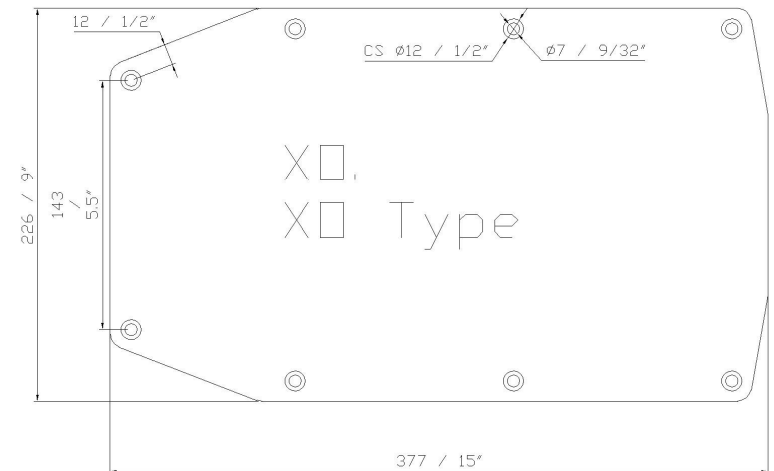
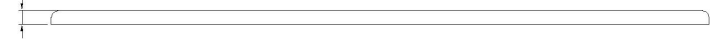
295-345mm / 11,5-14"



Special features:

- Height adjustment 50mm / 2"
- Weight adjustment on damper, with C-spanner – attached to deck plate
- 375mm / 14,5" deckplate
- Also Slide-only-, and Fixed models possible
- Only one(1) deck plate model

8 / 3/8"



HM-series

275mm / 11"



Special features:

- Weight adjustment by moving shock absorber's position.
17mm / 11/16" key needed
- Also Slide-only-, and Fixed models possible
- RB-, SR-, and BR- deck plates possible

LM-series

250mm / 10"



Special features:

- Weight adjustment by moving shock absorber's position.
17mm / 11/16" key needed
- Also Slide-only-, and Fixed models possible
- RB-, SR-, and BR- deck plates possible

TH-series

350mm / 14"



Special features:

- Quick weight adjustment, by turning handwheel
- Also Slide-only-, and Fixed models possible
- RB-, and BR- deck plates possible

TM-series

310mm / 12"



Special features:

- Quick weight adjustment, by turning handwheel
- Also Slide-only-, and Fixed models possible
- RB-, and BR- deck plates possible

BG-series

310mm / 12"



Special features:

- For weights 110-170kg / 240-380lb
- Quick weight adjustment, by turning handwheel
- Only Slide-, and Fixed models possible. (Not Swivel)
- RB-, and BR- deck plates possible

TL-series

275mm / 11"



Special features:

- Quick weight adjustment, by turning handwheel
- Also Slide-only-, and Fixed models possible
- RB-, and BR- deck plates possible

IPH

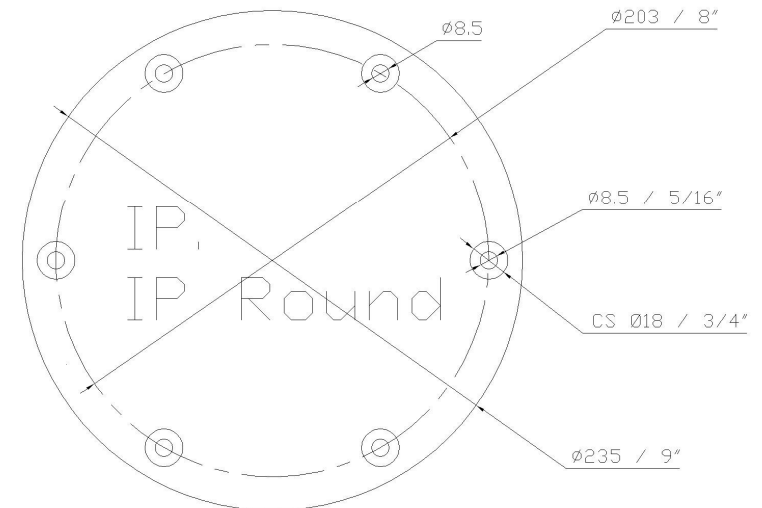
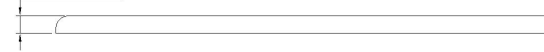
250mm / 10"



Special features:

- Weight adjustment by turning the seat. Each turn makes 2,5kg / 5lb difference
- Only Swivel & Slide model
- Only one(1) deck plate model

8 / 3/8"



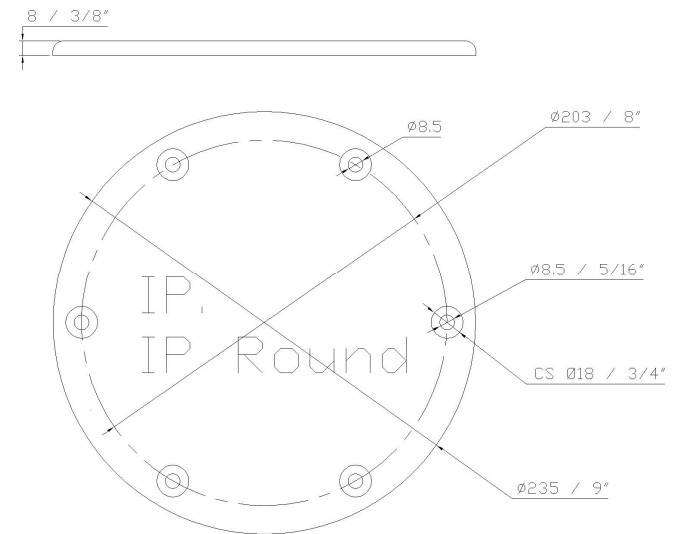
IPL

220mm / 8,5"



Special features:

- Weight adjustment by turning the seat. Each turn makes 2,5kg / 5lb difference
- Only Swivel & Slide model
- Only one(1) deck plate model



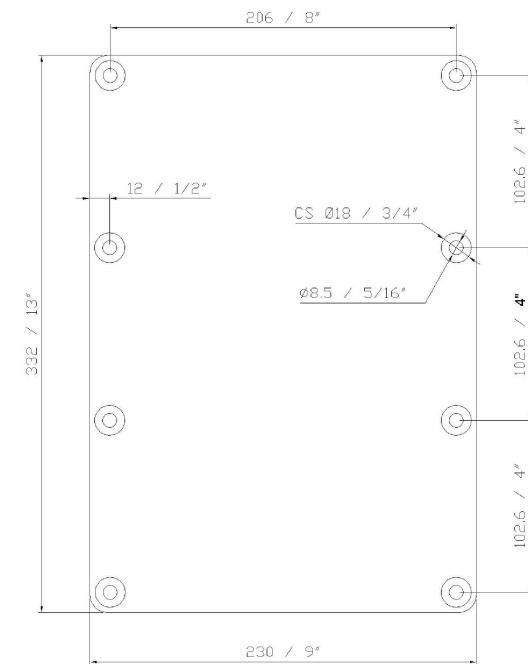
MA-series

220mm / 8,5"



Special features:

- Quick weight adjustment, by turning handwheel
- Also Slide-only-, and Fixed models possible
- **MAS** (Slide version) is **200mm / 8" high**
- Only one(1) deck plate model



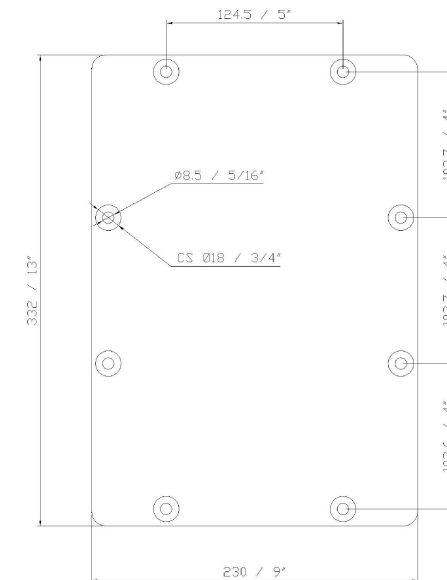
LP-series

180mm / 7"



Special features:

- Quick weight adjustment, by turning handwheel
- Also Slide-only-, and Fixed models possible
- **LPS** (Slide version) is **160mm / 6,5" high**
- Only one(1) deck plate model



VL-series

98mm / 4"



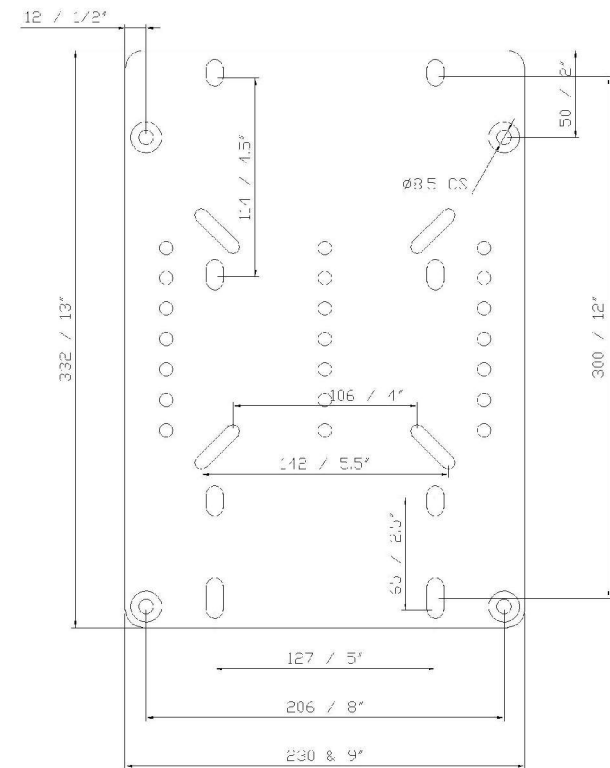
Special features - VLW:

- Weight adjustment by moving EPDM rubber cushions' position
- Safety strap handle can also be positioned on either side
- Only one(1) deck plate model
- Height: 98mm / 4"



Special features - VLS:

- Weight adjustment by moving EPDM rubber cushions' position
- Also Safety strap handle can be positioned on either side
- Only one(1) deck plate model
- Height: **75mm / 3"**
- Fixed model also possible; height 60mm / 2,5"



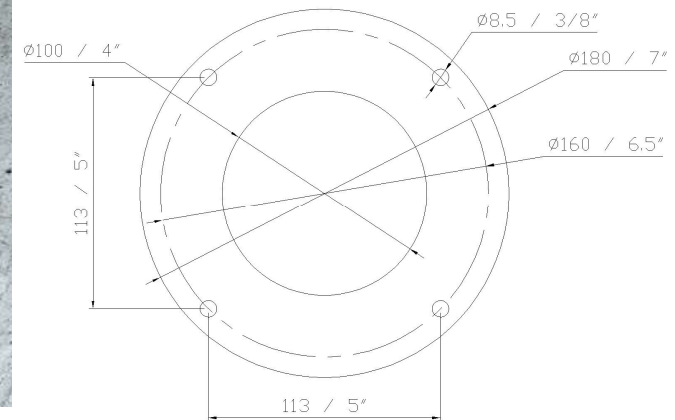
FP-series

48mm / 2"



Special features:

- No suspension
- Installs with 4 x countersunk screws
- Slide-only model also possible; 39mm / 1,5"



Accessories



Pedestals:

- Height-raising, between deck and seat suspension
- 6mm / 1/4" thick aluminium
- Heights: from 50mm / 2" and up

Foot Support:

- Knurled, in stainless steel
- To be installed on Pedestals
- Different lengths



Accessories

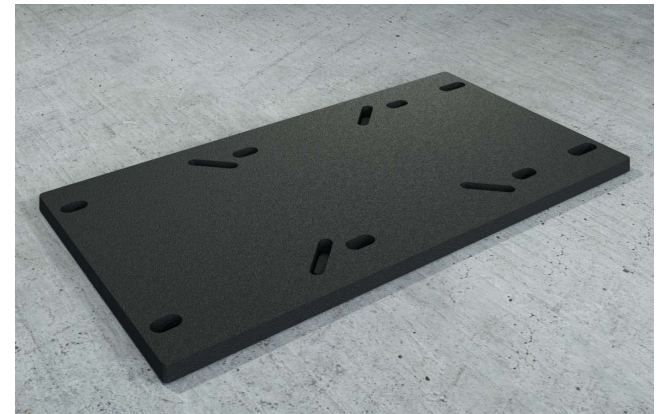
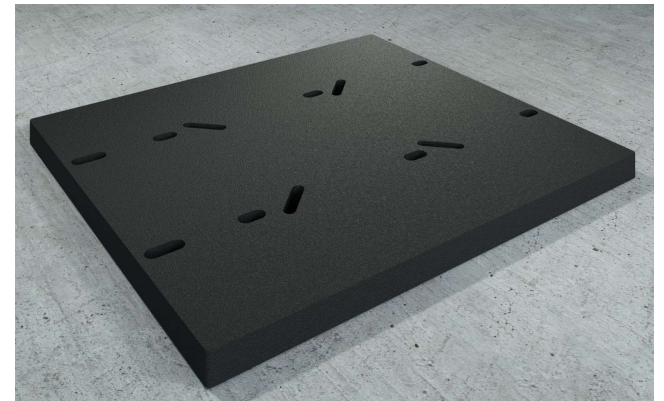


Narrow Slide plate:

- For seats with a smaller mounting area than a normal bucket seat
- No Swivel version – only Slide
- Fits on all products, except IP-, MA- and LP-series
- Slide handle reach 210mm / 8" from center-line
- Width: 230mm / 9"
- Length: 332mm / 13"
- Standard, Universal 12x5" hole pattern

Spacers:

- For seats with a non-flat mounting surface
- Aluminium or PVC



Accessories



Coating color options:

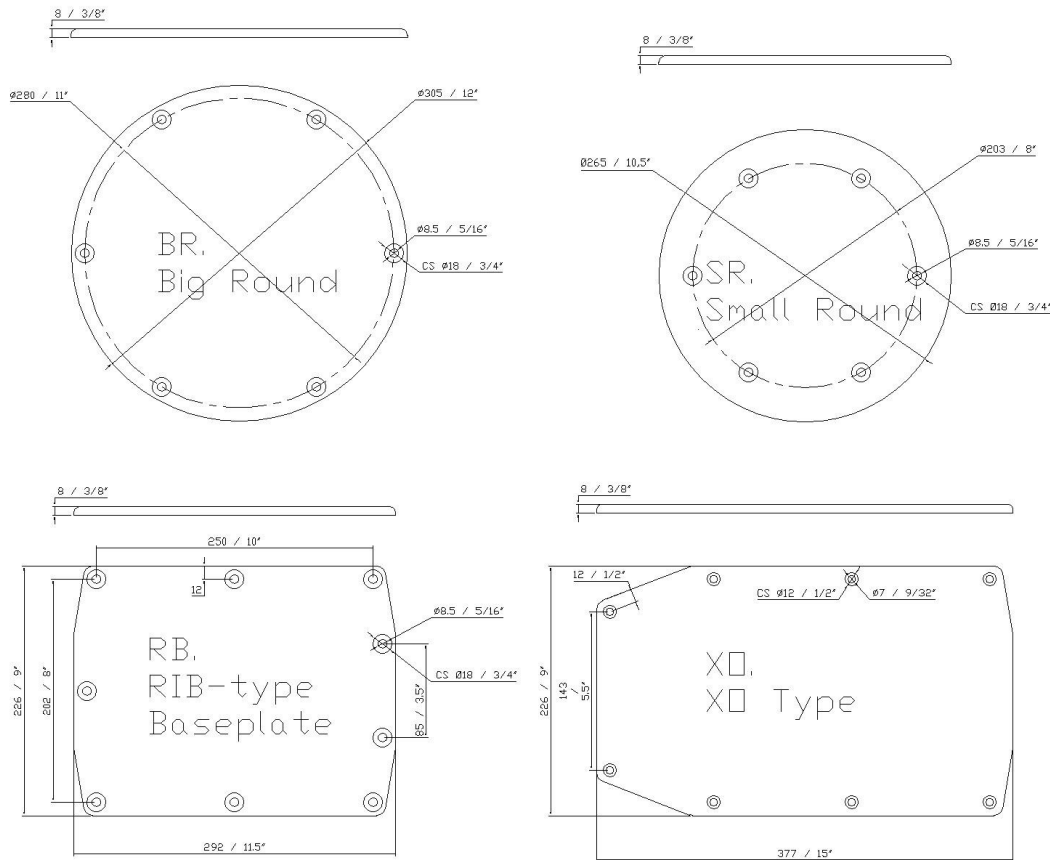
- Standard powder coat, and anodized parts, are Satin Black
- Also available, at various product MOQs:
 - Silver Grey
 - Satin White



Threaded deck inserts:

- Where normal screws can't get a secure grip in the installation area - deck/console
- M6: 12mm / 1/2" long
- M8: 28mm / 1" long

Technical – Standard deck plates:



$\varnothing 12''$ to $\varnothing 9''$ Conversion/Cover Deck plate:

- For those who have a $\varnothing 12''$ deck plate, with $\varnothing 11''$ hole pattern pre-drilled, and want to install a $\varnothing 9''$ deck plate. ($\varnothing 8''$ hole pattern)

